




For High Pressure

210 CUPLA

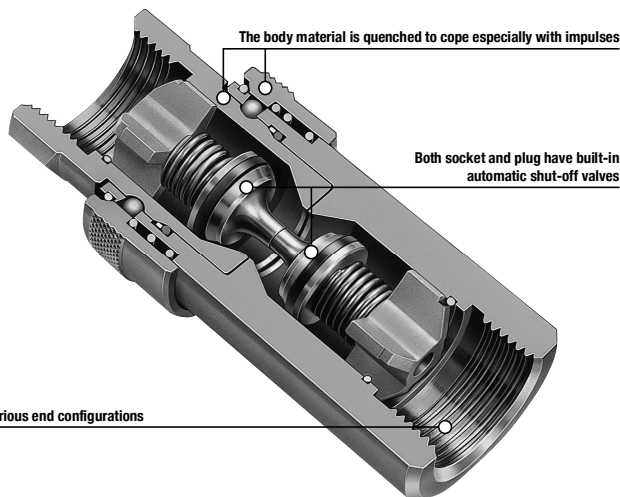
For hydraulic pressure up to 20.6 MPa {210 kgf/cm²}

Working pressure	Valve structure	Applicable fluid
 20.6 MPa {210 kgf/cm ² }	 Two-way shut-off	 Hydraulic oil

Standard hydraulic CUPLA for general purposes with a working pressure up to 20.6 MPa.

Low pressure loss, suitable for hydraulic equipment.

- General purpose hydraulic CUPLA with a working pressure of 20.6 MPa {210 kgf/cm²}.
- Structure is designed to reduce pressure loss to the lowest, and is best for hydraulic applications that need big flow rates.
- Both socket and plug have built-in automatic shut-off valves that prevent fluid outflow when disconnected.



Various end configurations

Specifications				
Body material	Special steel (Nickel plated)			
Size (Thread)	1/4", 3/8", 1/2", 3/4", 1"			
Pressure unit	MPa	kgf/cm ²	bar	PSI
Working pressure	20.6	210	206	2990
Seal material	Seal material	Mark	Working temperature range	Remarks
	Nitrile rubber	NBR (SG)	-20°C to +80°C	Standard material
Working temperature range	Fluoro rubber	FKM (X-100)	-20°C to +180°C	Available on request

Maximum Tightening Torque		Nm {kg · cm}				
Size (Thread)		1/4"	3/8"	1/2"	3/4"	1"
Torque		28 {286}	45 {459}	90 {918}	100 {1020}	180 {1836}

Flow Direction

Fluid flow can be bi-directional when socket and plug are connected.

Interchangeability

Socket and plug of different sizes cannot be connected.

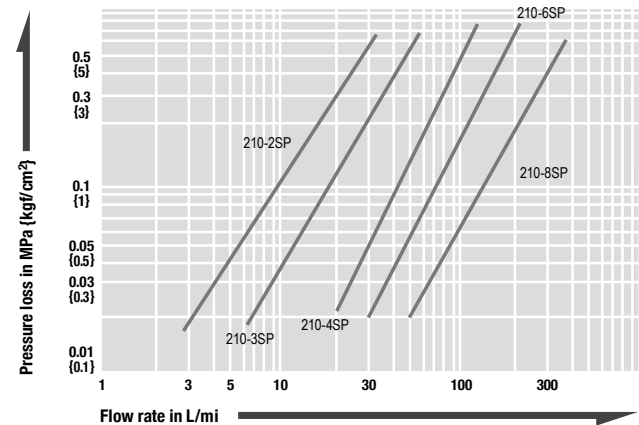
Minimum Cross-Sectional Area		(mm ²)				
Model		210-2SP	210-3SP	210-4SP	210-6SP	210-8SP
Minimum cross-sectional area		24.5	42.8	77.4	146.5	235.6

Suitability for Vacuum		1.3 Pa {1 × 10 ⁻² mmHg}
Socket only	Plug only	When connected
—	—	Operational

Admixture of Air on Connection		May vary depending upon the usage conditions.				(mL)
Model		210-2SP	210-3SP	210-4SP	210-6SP	210-8SP
Volume of air		0.85	1.02	2.63	8.83	16.04

Flow Rate – Pressure Loss Characteristics

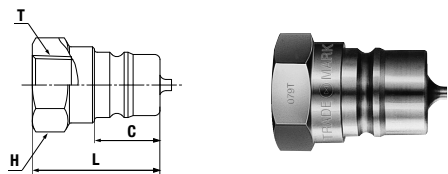
[Test conditions] • Fluid : Hydraulic oil • Temperature : 30°C±5°C
• Fluid viscosity : 32 × 10⁻⁶ m²/s • Density : 0.87 × 10³ kg/m³



Precautions for use

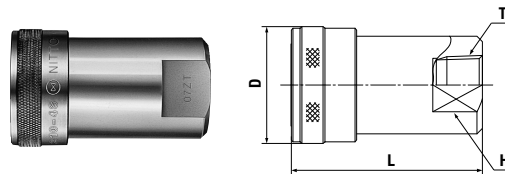
There is no interchangeability between 210 CUPLA and HSP CUPLA or 280 CUPLA. Do not connect each other even if some sizes are approximate.

Plug Female thread



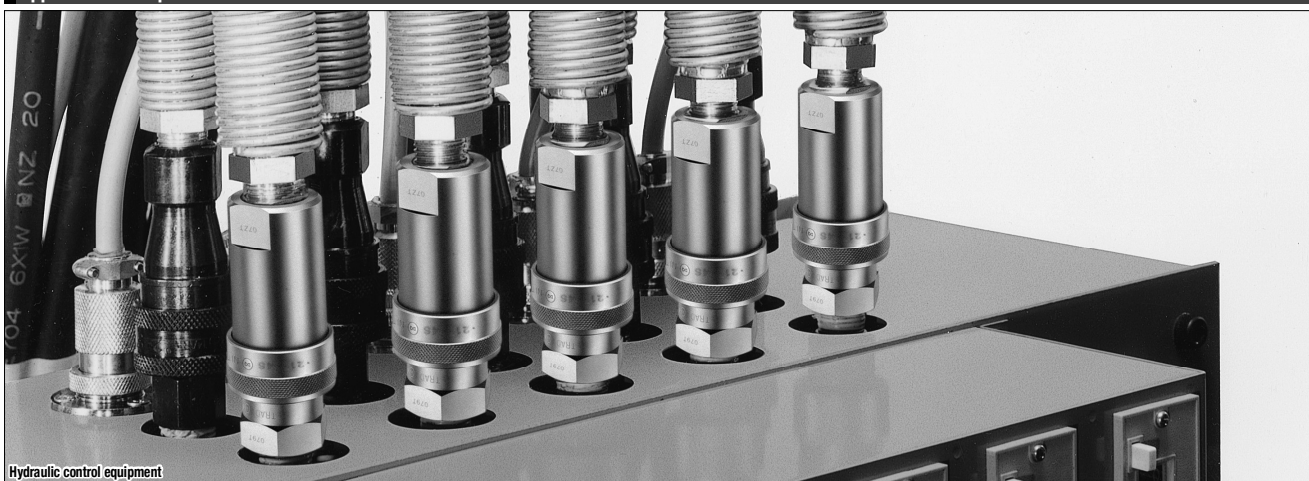
Model	Application (Thread)	Mass (g)	Dimensions (mm)			
			L	C	H(WAF)	T
210-2P	R 1/4	39	33	18	Hex.19	Rc 1/4
210-3P	R 3/8	57	36	18.5	Hex.23	Rc 3/8
210-4P	R 1/2	90	42.5	24	Hex.27	Rc 1/2
210-6P	R 3/4	195	51	28	Hex.35	Rc 3/4
210-8P	R 1	293	61	35	Hex.41	Rc 1

Socket Female thread



Model	Application (Thread)	Mass (g)	Dimensions (mm)			
			L	øD	H(WAF)	T
210-2S	R 1/4	158	50.5	(30)	22	Rc 1/4
210-3S	R 3/8	193	54	(33)	23	Rc 3/8
210-4S	R 1/2	330	65	(39)	29	Rc 1/2
210-6S	R 3/4	566	78.5	(48)	35	Rc 3/4
210-8S	R 1	861	95	(55)	41	Rc 1

Application Example



Hydraulic control equipment



Construction machinery