

Parts List

No.	Name	No.	Name	No.	Name	No.	Name
01	Outlet Manifold	02	Plug Sealing Ring	03	Plug	04	Ball Valve
05	Ball Seat	06	Ball Seat Sealing Ring	07	Small Slider	08	Piston V-ring
09	Piston	10	Air Valve Cover	11	Air Valve Cover O-ring	12	Boot Block
13	Muffler	14	Boot Block Washer	15	Stand Column	16	Splint Screw
17	Splint O-ring	18	Outer Splint	19	Teflon Diaphragm	20	Santoprene Diaphragm
21	Inner Splint	22	Clap Board	23	Air Valve Chamber Washer	24	Inlet Manifold
25	Air Valve Chamber	26	Connecting Rod Axis	27	Connecting Rod Axis V-ring	28	Booster Power Lever O-ring
29	Booster Power Lever						

QBY3-20 QBY3-25

Aluminum alloy

Specifications

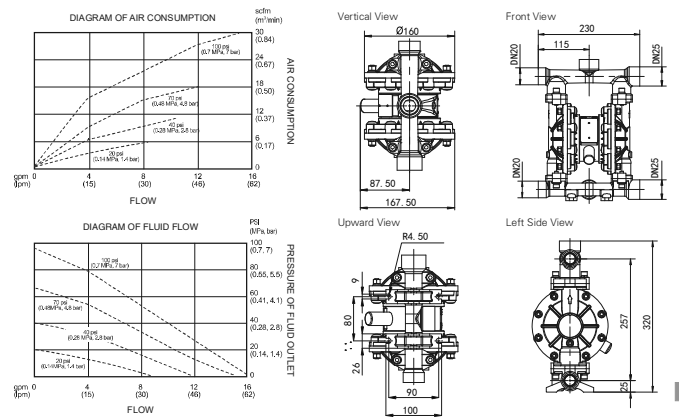
	QBY3-20	QBY3-25
Max. Flow Rate	57 lpm	57 lpm
Max. Head	70 m	70 m
Max. Suction Height	4.5 m	4.5 m
Max. Working Pressure	7 bar	7 bar
Fluid Inlet/Outlet Size	DN20 (3/4")	DN25 (1")
Air Inlet Size	1/4" G (bspp)	1/4" G (bspp)
Max. Permitted Grain	2.5 mm	2.5 mm
Max. Air Consumption	0.36 m ³ /min	0.36 m ³ /min
Air Compressor Power	3 kw	3 kw
Every Reciprocating Flow	0.15 L	0.15 L
Max. Reciprocating Speed	400 cpm	400 cpm

Pump body structure materials: Cast steel Nodular cast iron Aluminum alloy PP Stainless steel PVDF



Aluminum alloy

Installation dimensions



Note: GODO Manufacturing Co., Ltd. reserves the right to change product design without prior notice. Please consult sales for latest product size.